

Highlights

- Type J or K, or 0 - 5 V output
- Two models cover temperature ranges from 0 to 500°C
- IP 65 stainless steel electronics housing
- 4:1 optics at 90% energy
- 350 ms (95%) response time
- Powered by 12 – 24 VDC at 20 mA
- Accessories for cooling and air purging



General Specifications

Environmental Rating	IP65 (IEC 529)
Ambient Temperature	
Sensing head	0 to 70°C
With air cooling	up to 90°C
With water cooling	up to 260°C
Storage Temperature	-30 to 85°C
Relative Humidity	10 to 95%, non-condensing
Shock	IEC 68-2-27, 50 g's, 11 ms, any axis
Vibration	IEC 68-2-27, 3 g's, any axis, 11–200 Hz
Dimension	L 89 mm, Ø 19 mm
Weight	130 g

Measurement Specifications

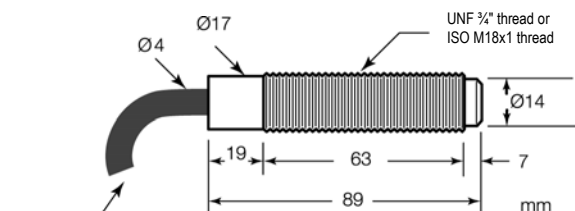
Temperature Range	
Model A	0 to 115°C
Model B	100 to 500°C
Spectral Response	7 to 18 µm
Accuracy	±2% or ±3°C ¹
Repeatability	±1% or ±1°C ¹
Temperature Resolution	0,5°C
Response Time	350 ms (95%)
Emissivity	fixed at 0,95

¹ whichever is greater

Electrical Specifications

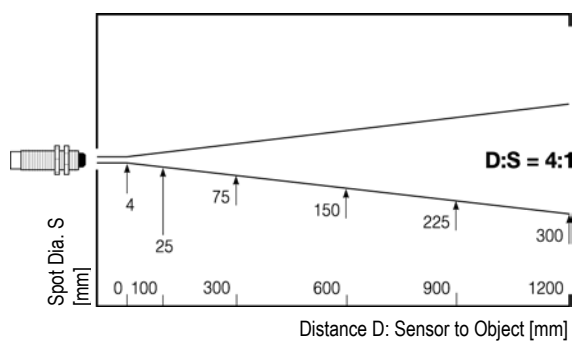
Outputs	User-selectable thermocouple output (model specific, either J or K) or voltage output 10 mV/°C
Cable Length	1 m standard, longer cables optional
Output Impedance (J/K)	50 Ω
Minimum Load Impedance (mV)	50 kΩ
Power Supply	12 – 24 VDC, ±5%, 20 mA

Dimensions



PVC cable, 1 m standard length, max. ambient temperature 105°C

Optical Specifications

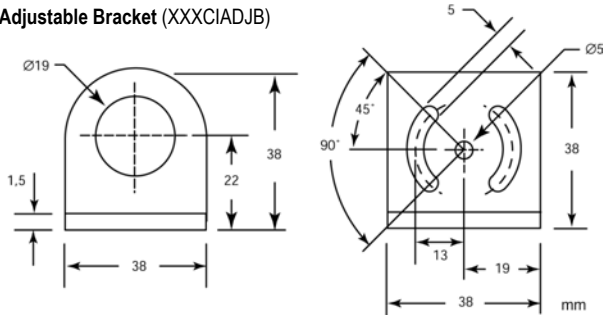


Accessories

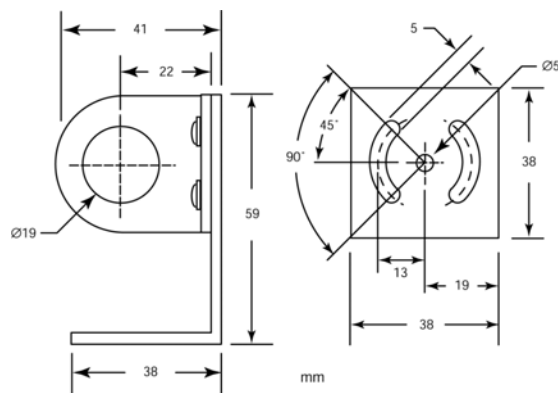
Each sensor includes two mounting nuts, 1 m of cable, and an operator's manual. Additional accessories are available:

- Cable extension accessories for mV or thermocouple: 7,5 m, 15 m or 30 m

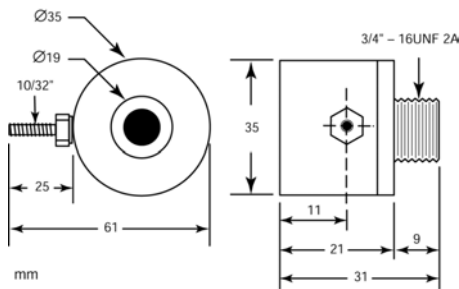
Adjustable Bracket (XXXCIADJB)



Fixed Bracket (XXXCIACFB)



Air Purge Collar (XXXCIACAP), with metric thread: XXXCIACAPM

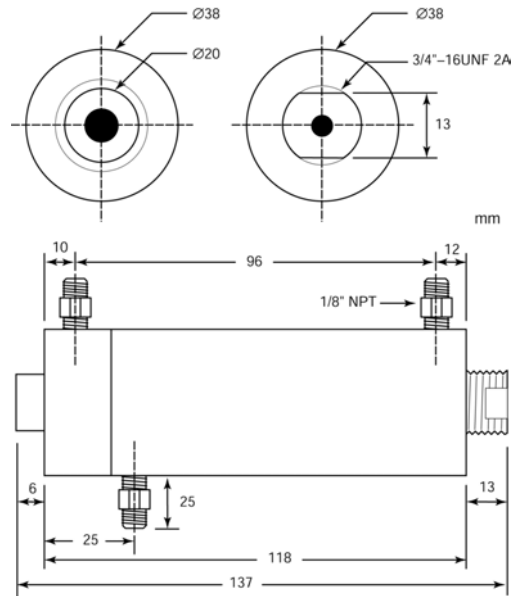


Options

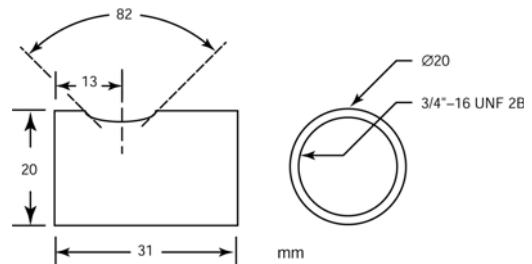
Options must be specified at time of order:

- Cable lengths 3 or 15 m
- High Temperature Cable (max. 260°C)
- ISO Calibration Certificate, based on NIST/DKD certified probes (XXXCICERT)
- Water-Cooling Jacket incl. Air Purge Collar (...W), not for sensors with M18x1 thread

Water-Cooling Jacket (...W)



Right Angle Mirror (XXXCIACRA), not for metric threads



59401, Rev. C, 06/2002 – Raytek, the Raytek Logo, Thermalert and DataTemp are registered trademarks of Raytek Corporation. Specifications subject to change without notice.

www.issltd.co.uk

for up-to-the-minute features

PO Box 1 • Ilkley • West Yorkshire • LS29 8EU
 Phone: 01943 602001 • Fax: 01943 816796
 Website: www.issltd.co.uk • Email: sales@issltd.co.uk

instrumentation
 Systems & Services Ltd

Raytek

Tel: (01943) 602001- WWW.ISSLTD.CO.UK - Fax: (01943) 816796