

West 8080

1/8th DIN Large Display

Modular Dual Colour Indicator



The West 8080 offers high accuracy temperature or process inputs. The custom-designed display is larger than other instruments of this size, and can be set to change colour to indicate alarm status.

- **Large Five Digit Display**
- **Colour Change On Alarm**
- **Min/Max Value Hold**
- **2 Process Alarms**
- **Security Lock**
- **Process Transmitter PSU**
- **PV retransmit option**
- **RS485 comms option**



Technical Data

Features

Output Configuration
 Alarm Types
 Viewable Values
 Human Interface

Up to 3 total., max 2 for Alarms, max 1 for retransmission of PV
 Process high, process low, direct acting, process high, process low reverse and logical OR
 Process variable, alarm values, maximum value, minimum value and elapsed time since reset
 4 button operation, 5 digit 18mm high colour change display, plus set-up and alarm indicators

Temperature Version

Input
 Impedance
 Accuracy
 Sampling
 Sensor Break Detection

J, K, R, S, T, B, & N Thermocouple, 3 or 4 Wire PT100, 50Ω per lead maximum (balanced)
 >100MΩ for Thermocouple
 +/- 0.1% of input span +/- 1 LSD (T/C CJC better than 0.5°C)
 4 per second, 14 bit resolution
 <2 secs, high alarms activate

DC Process Version

Input
 Scaling
 Impedance
 Accuracy
 Sampling
 Sensor Break Detection
 Totalising Interval
 Transmitter Power Supply

0-20/4-20/10-50mA, 0-5/1-5/0-10/2-10V, +/-100mV, +/-1V, +/-10V
 -19999 to 99999, dec point as required. Up to 10 scaling points for non-linear applications
 >100KΩ for mV range, >950KΩ for V ranges, 10Ω for 20mA ranges and 1Ω for 50mA range
 +/- 0.01% of input span typical (+/- 0.05% max) +/- 1 LSD
 10 per second, 14 bit resolution
 <2 secs (except zero based ranges), low alarms activate
 Seconds, minutes or hours
 20-28V DC (24V nominal), max load 910Ω (22mA at 20V). Fitted as standard

Outputs & Options

Alarm 1
 Alarm 2
 Retransmit Output
 Digital Input
 Communications

Open collector NPN transistor (30VDC 100 mA max) and relay (Contacts SPDT 3Amp resistive at 240VAC/5Amp at 110V), latching or non-latching. Fitted as standard.
 Open collector NPN transistor (30VDC 100mA max) fitted as standard. Optional relay (Contacts SPDT 3Amp resistive at 240VAC/5Amp at 110V), non-latching
 0/4-20mA into 500Ω max, 0-10/0-5V into 500Ω min. Accuracy (typ) +/- 0.25% 250mS update
 External security lock (also Tare function on Process Version). Volt free or TTL compatible
 2 wire RS485, 1200 to 9600 baud. ASCII protocol

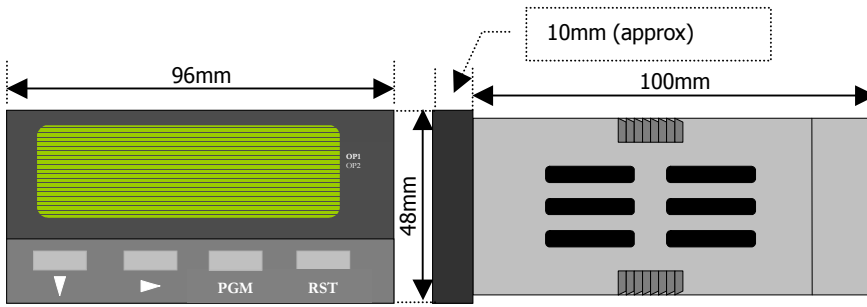
Operating & Environmental

Temperature & RH
 Power Supply
 Front Panel Protection
 Approvals and Certs

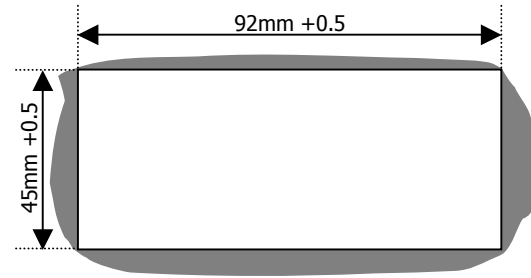
0 to 55°C (-20 to 80°C storage), 20% to 95%RH non-condensing
 90 to 264V 50/60Hz (optional 20 to 50V AC/DC), approx 4 Watts
 IEC IP66/NEMA 4. (Behind panel protection is IP20)
 CE, UL & ULc

<http://www.ISSLtd.co.uk>
Support@ISSLtd.co.uk
Enquiries@ISSLtd.co.uk

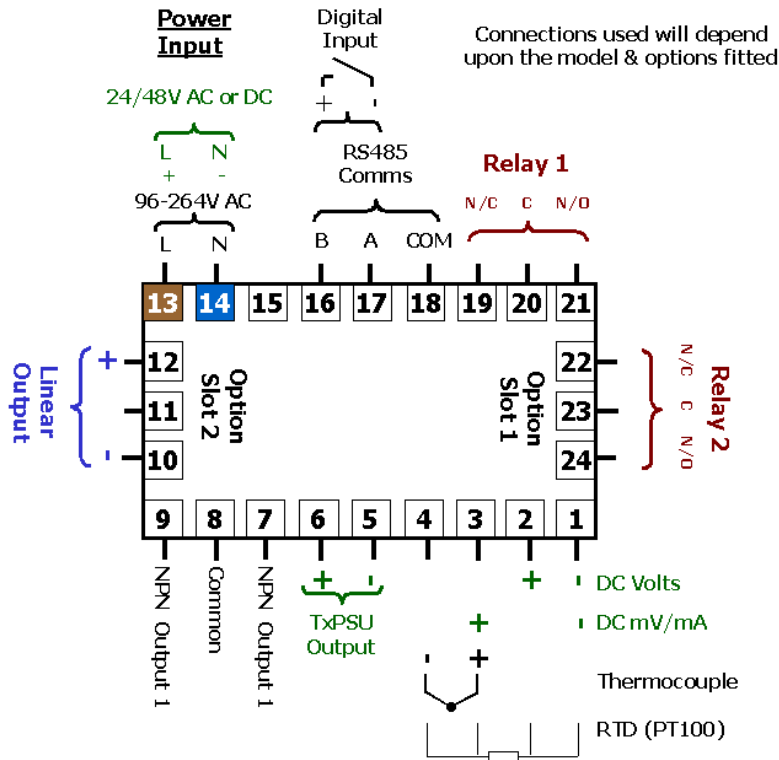
Dimensions



Panel Cut-out



Connection Details



Field Reconfiguration

Input

Temperature Version – Configurable for probe type and range
Process Version – Configurable for signal type and range

Relay 1

Type is fixed as Alarm 1

Option Slot 1

Configurable as Alarm 2 via plug-in relay module

Option Slot 2

Configurable as Analogue DC Re-Transmit of PV using plug-in module

Option Slot 3

Temperature Version – Configurable for RS485 comms or Security Lock, via plug-in modules

Process Version – Configurable for RS485 comms or Tare/Security Lock, via plug-in modules

Order Code



Input type

Temperature (Thermocouple/RTD)	1
DC Process (mV/VmA)	2

Output Slot 1

No option fitted	0
Alarm 2 – Relay Output	1

Output Slot 2

No option fitted	0
Analogue DC Re-Transmit PV	3

Options and Power Supply

0	90-264V AC line supply
2	20-50V AC or DC line supply
Output Slot 3	
0	No option fitted
5	RS485 Comms
6	Digital Input

In accordance with our policy of continuous improvement, we reserve the right to change specifications from those shown in this document.

<http://www.ISSLtd.co.uk>
Support@ISSLtd.co.uk
Enquiries@ISSLtd.co.uk

instrumentation
Systems & Services Ltd

PO Box 1 • Ilkley • West Yorkshire • LS29 8EU
 Phone: 01943 602001 • Fax: 01943 816796
 Website: www.issltd.co.uk • Email: sales@issltd.co.uk