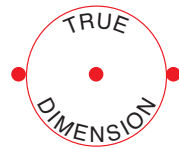


PhotoTemp™ MX6 TD

Raytek Photographic Infrared Thermometer



Noncontact Temperature Measurement with Digital Photos



Measure



Photograph



Document

Introducing the world's first precision infrared thermometer with integral digital photography. Measure temperature instantly—and simultaneously capture a photograph showing the area measured. The PhotoTemp MX6 TD records digital photos and incorporates the temperature, location and date/time of the measurement, together with useful data such as emissivity and alarms.

Raytek®

PhotoTemp MX6 TD

Every infrared thermometer can measure temperature, but only PhotoTemp MX6 TD measures temperature while simultaneously photographing the measured area and its surroundings.

The proof is in the photo! Temperature measurement locations are instantly captured in a digital photograph with a time and date stamp in the image. The photo shows the precision True Dimension™ laser sighting with three double bright laser dots, pinpointing the exact measurement location, without the need for a view finder. True Dimension is a coaxial laser sighting system that consistently shows the measurement area from all distances.

Make sure the inspection was done properly. Use the DataTemp® MX software to download the temperature measurements and photos from the instrument to double-check all your inspection work.

Ensure consistency by using prior photos as a reference, and the True Dimension laser as a guide, to guarantee that the next measurement is on the same target.

Create customized company reports with PhotoTemp MX6 TD data and photos. Automatically insert information from PhotoTemp MX6 TD data files into reports for fast, professional results.



PhotoTemp MX6 TD Standard Accessories

- Includes:
- User Guide
 - DataTemp MX Software
 - Thermocouple K Probe
 - Hardshell Carrying Case
 - USB Computer Cable

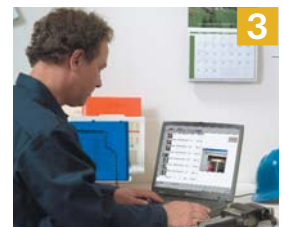
Measurements & Documentation As Simple as 1-2-3



1
Log temperature and take photo with PhotoTemp.



2
Download data from PhotoTemp to a computer.



3
View, graph and generate reports with DataTemp MX software.

To begin, focus the camera for near or distant photos using the focus ring. With PhotoTemp in "log mode," pull and release the trigger. After taking a successful measurement and a photograph, PhotoTemp prepares to record the temperature and image of the next location. In low light situations, PhotoTemp can automatically illuminate the subject with a built-in flash.

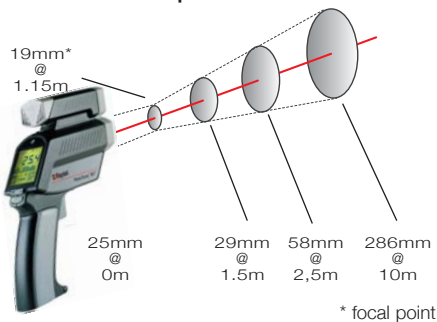


Tel: (01943) 602001- WWW.ISSLTD.CO.UK - Fax: (01943) 816796

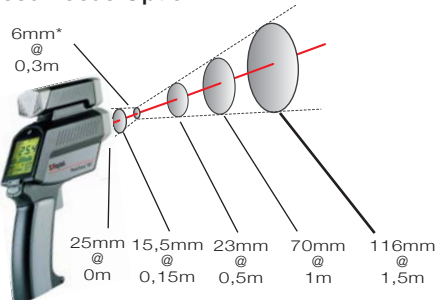


Optical Resolution

Standard Focus Optic



Close Focus Optic



Close Focus Option

- Measure objects as small as 6 mm at 300 mm



Advanced Display



- Icons for camera active, flash active, and flash charging, and indication of photos remaining
- Confirmation of a successful photo taken
- 30 pre-set common material emissivities

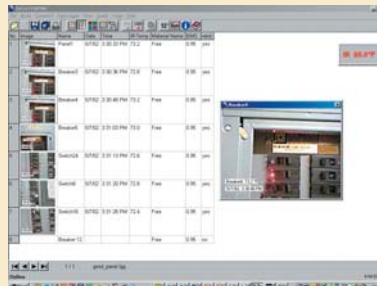
- Adjustable emissivity values (0.01 increments)
- 100 location logging capability
- Customized log location names and alarms

Sub Zero Option

- Measure temperatures from -50°C through 500°C

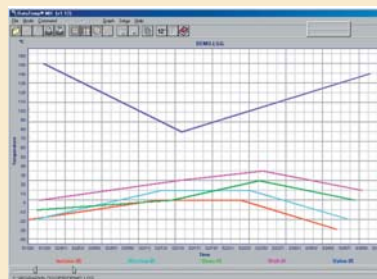
DataTemp MX Software

Visualize, systematically maintain and analyze temperature data using Windows-compatible Raytek DataTemp MX software. Export data and images in common file formats for easy incorporation into standard programs.



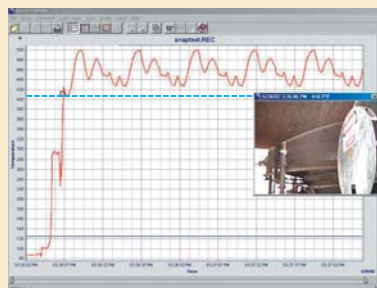
Data Log Tabular View

- See photos next to temperature data
- Create identifiable location names
- Tailor high/low alarms to location
- View minimum, maximum and average temperatures



Graph

- Visually find and review trends
- Quickly compare temperature trends of up to 5 locations
- Display infrared temperatures over time
- Store up to 10,000 data points in a file



Real Time Temperature Reporting

- Record photos while in continuous measuring mode
- Set PhotoTemp to take photos when high/low alarms are exceeded
- Easily view photos through indications on temperature graph
- Simultaneously see temperature trend and photo

Electrical Maintenance Report
Alone Infrared Service, Inc.

Report Date: 17 May 2002

Report No.: 05709 Image Date: 5/17/02 2:30:28 PM
Job Number: 252 Equipment No.: T118M

Location Name: Electrical
Location Description: This breaker controls the main motor for mixer.

Temperature Unit: °F User Name: CHRIS SCHMIDT
Ambient Temp: 72° Background: 135°
Wind Speed: 11° from direction: 330°
Sky condition: N/A Distance to object: 200/W/12°
Rated load: Measured load:
Emissivity: ε = 0.95 Temperature: 72.8
Material type: EYES
Repair Priority: M H U Repair Check Date: 7 July 2002

Comments:

Report Creation

- Import and paste temperature data and photographs to quickly create multiple reports
- Add impact to reports with recorded photos

PhotoTemp MX6 Specifications and Features

Thermometer	Temperature Range	-30° to 900°C (-50° to 500°C with SZ option)
	Accuracy (Assumes ambient operating temperature of 23°C)	±0.75% of reading or ±0.75°C whichever is greater
	Repeatability	≤ ±0.5% of reading or ≤ ±0.5°C, whichever is greater
	Response Time	250 mSec (95% of reading)
	Spectral Response	8 to 14µm, thermopile detector
	Distance to Spot (D:S)	60:1 (50:1 with Close Focus Option)
	Minimum Spot Size Diameter	19mm (6mm with Close Focus Option)
	Display Resolution	0.1°C of reading up to 900°C
	Temperature Display	°C or °F selectable
	Ambient Operating Temperature	0 to 50°C
	Relative Humidity	10 to 90% RH non-condensing @ up to 30°C
	Storage Temperature	-20 to 50°C
	Tripod Mount	1/4-20 UNC (standard photographic tripod)
	Power	2 AA Batteries
	Battery Life (in continuous use)	8 hrs (13 hrs with photographic mode off)
	Laser Class II	3-point laser sighting (Meets IEC Class 2), 635 nm
	Maximum and Minimum Temperature Displayed	✓
	Audible/Visible High Alarm	✓
	Differential and Average Temperature	✓
	Bar Graph Display	✓
Adjustable Emissivity* (from 0.1 to 1.0 by 0.01)	✓	
100 Points Data Logging	✓	
Display Hold	✓	
LCD Backlit	✓	
PC Software Operating Systems	Windows 98, ME, 2000 and XP	
Data Graphing & Photo Viewing Software (Windows compatible)	✓	
Data Output: USB or 1mV per degree (°C or °F)	✓	
Weight	580g	
Camera	Maximum Number of 640x480 Pixel Photos (VGA)	26
	Maximum Number of 320x240 Pixel Photos (1/4 VGA)	100
	Recharge Time for Flash	< 5 sec
	Camera Lens	6 mm approximately equal to 42mm lens on a 35mm camera
	Close-up Distance Focal Point • Far Distance Focal Point	200 mm • Infinity
	Light Sensitivity	6 lux w/out flash
	Variable Shutter Speed	< 1/15 sec (with flash at 1/15 sec fixed)
	Data Interface	USB 1.1
Image File Format / Data Output Protocol	.jpg files • .dot files	
Options/ Accessories	Delivery Content	DataTemp MX Software • USB Computer Cable • Hard Carry Case • Thermocouple K Probe
	Accessories	• Thermistor (NTC Probe) • Soft Carry Case
	Options	Close-Focus Option • Sub-Zero Option



www.issltd.co.uk

for up-to-the-minute features

Distributed by


PO Box 1 • Ilkley • West Yorkshire • LS29 8EU
Phone: 01943 602001 • Fax: 01943 816796
Website: www.issltd.co.uk • Email: sales@issltd.co.uk
Instrumentation
Systems & Services Ltd



© 2003 Raytek (55524 Rev. G) 10/2003

Specifications subject to change without notice.

Raytek, the Raytek logo and DataTemp are registered trademarks, and MX and PhotoTemp are trademarks of Raytek Corp. Windows, Windows 98, 2000, XP and Word are trademarks of Microsoft Corp.

Raytek is ISO 9001:2000 certified.

Tel: (01943) 602001- WWW.ISSLTD.CO.UK - Fax: (01943) 816796